

Advanced solutions for a green future – roll clad strips



Heraeus Precious Metals roll cladding technology offers flexible solutions for compound strips. These are applied as electrical connections in Li-ion batteries and e-mobility applications (e.g., electrical connections, battery tabs, housings).

Technology

- Special metal combining process
- Cold rolling metal processing
- Special heat treatment for adjusting mechanical properties and strong compound binding
- Defined overlap and layer ratios
- Capacity for high volumes
- Applicable material: refractory metals, precious metals and non-ferrous metals

Service

- Co-development with customers
- Strips, cuttings
- Tight manufacturing tolerances with high degree of design flexibility

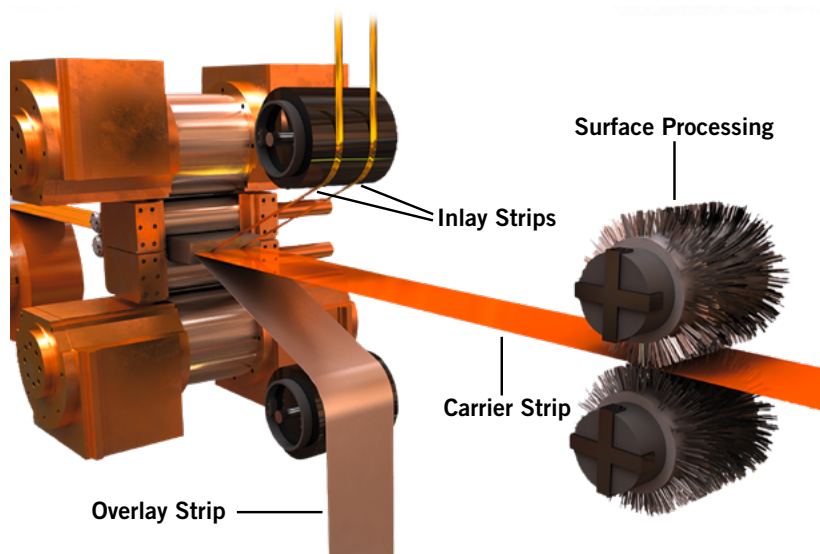
Result

- Material combinations with special functional characteristics through multi-metal combinations that cannot be created by alloying or welding

Benefits

- Design freedom through broad material combination possibilities for changing requirements and production technologies
- Simple mono-material joining
- Lighter materials for weight reduction in batteries and vehicles (e. g., Aluminum solutions)
- Economical solutions (e. g., Aluminum replacing Copper)

Roll Cladding



Sustainability is at the core of everything we do.

We will be the first precious metals company to be carbon neutral by 2025.



AVOIDANCE AND EFFICIENCY

20% less energy used in current processes, referring to our base year 2019.



GREEN ELECTRICITY

100% green electricity in all regions we are present by 2025, securing competitive prices.



NEW TECHNOLOGIES

We will move away from fossil fuels until 2033.

All targets refer to Scope 1&2

The information in this data sheet contains only general information on the use of our products or examples for their application. They do not release the customer from a careful inspection of the delivered product for its fitness for the customer's particular purpose of use. Any customer's special requests regarding the particular use of a product will only be authoritative if Heraeus has confirmed to the customer in writing at the time of conclusion of a corresponding contract that the product delivered is fit for the customer's intended use. Heraeus, therefore, does not guarantee the correctness and completeness of the information regarding the customer's intended use. The customer's purchase will be governed exclusively by the written order confirmation of Heraeus and the Heraeus General Terms of Sale and Delivery, which are available at www.heraeus.com/gtc. This data sheet may be subject to changes at any time.

